

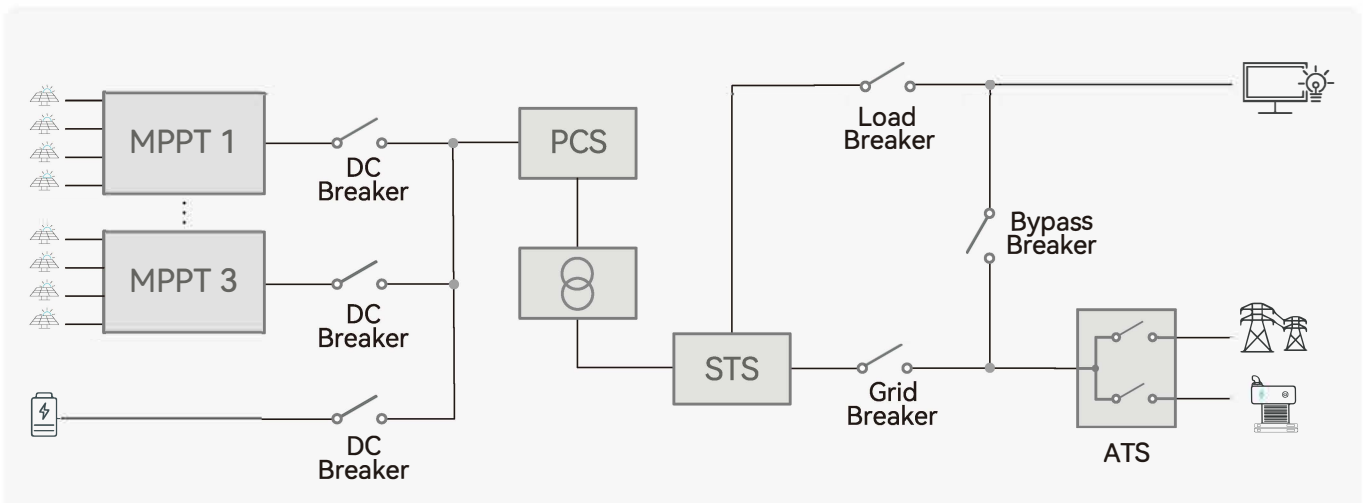
125K-H/250K-H

Microgrid Hybrid inverter



— Features

- Multiple power integration All-in-one
- Seamless on/off grid transfer within 10ms
- DC-coupled with PV and battery
- Support AC coupling input (PV or wind power)
- Multiple battery inputs to solve the battery circulation
- Built-in isolation transformer
- Modular design for easy maintenance



125K-HA1-3

250K-HA1

250K-HB1

DC(PV Input)

Input voltage range	150-Vbat,min	150-Vbat,min	150-Vbat,min
Full load MPPT voltage range	340-Vbat,min	340-Vbat,min	340-Vbat,min
Max. Input voltage	1000V	1000V	1000V
Max. Num. of module	3	6(with Neptune-360K-MA*)	6(with Neptune-360K-MA*)
Max. PV power	180kW(60kW*3)	360kW(60kW*6)	360kW(60kW*6)
Num. of MPPTs per module	4	4	4
Max. Num. of strings per MPPT	1	1	1
Rated current per MPPT	45A	45A	45A
Rated power per MPPT	15kW	15kW	15kW

DC(BAT Input)

Battery voltage range	600-1000V	600-1000V	600-1000V
Max. Num. of battery Input	1	2	2
Max. charge/discharge current	216A	216A*2	216A*2
Max. charge/discharge power	125kW	125kW*2	125kW*2

AC(on-grid)

Max. Input apparent power	250kVA	250kVA	500kVA
Rated output apparent power	125kVA	250kVA	250kVA
Rated voltage	400V	400V	400V
Voltage range	300-460V	300-460V	300-460V
Rated frequency	50/60Hz	50/60Hz	50/60Hz
Frequency range	45-55Hz/55-65Hz	45-55Hz/55-65Hz	45-55Hz/55-65Hz
Rated output current	182A	364A	364A
Max. AC input current	364A	364A	728A
PF	>0.99 (-0.8~0.8)	>0.99 (-0.8~0.8)	>0.99 (-0.8~0.8)
THDi	<3%(@rated power)	<3%(@rated power)	<3%(@rated power)
AC connection	3W+N+PE	3W+N+PE	3W+N+PE

AC(off-grid)

Rated Output Power	125kW(@Resistive load)	250kW(@Resistive load)	250kW(@Resistive load)
Rated Output Voltage	400V	400V	400V
Rated Output Current	182A	364A	364A
Rated Frequency	50/60Hz	50/60Hz	50/60Hz
THDu	<3%(@linear load)	<3%(@linear load)	<3%(@linear load)
Overload capability	120%-1min	120%-1min	120%-1min

System Data

Build-in transformer	Yes		
Diesel engine interface	Yes		
IP level	IP20		
Transfer between on/off grid with STS	<10ms		
Cooling method	Intelligent air cooling		
Operating temperature range	-25~60°C (45~60°C derating, derating factor 5%/°C)		
Storage temperature range	-25~70°C (no condensation)		
Relative humidity	0~95% (no condensation)		
Noise	<75dB(A) @1m		
Maximum operating altitude	4000m (derating above 3000m, derating factor 1%/100m)		
AC lightning protection	Type II		
PV lightning protection	Type II		
BMS communication	RS485/CAN		
Meter communication	RS485		
Remote communication	WLAN/4G/Ethernet		
Display	LED+LCD+APP		
Dimensions(W*D*H)	1000*1000*1960mm	1200*1000*2060mm	1200*1000*2060mm
Weight	1060kg	1500kg	1560kg

Certificate

IEC 62109-1、IEC 62109-2、IEC 62477-1、IEC 61000-6-2、IEC 61000-6-4、NRS 097-2-1

Expand models

The product functions are optional, please contact the manufacturer for the corresponding model



HANGZHOU CHANGSHA JIANGXI · CHINA

Lisiner. All Rights Reserved.



ABOUT LISINER